

Honda Pioneer 700-4 Steel Roof



Product Instructions | Part No: 29220

Application: Honda Pioneer 700-4, verify accessory fitment at Kolpin.com.

Before You Begin: Read these instructions and check to be sure all parts and tools are accounted for. Please retain these installation instructions for future reference and parts ordering information.

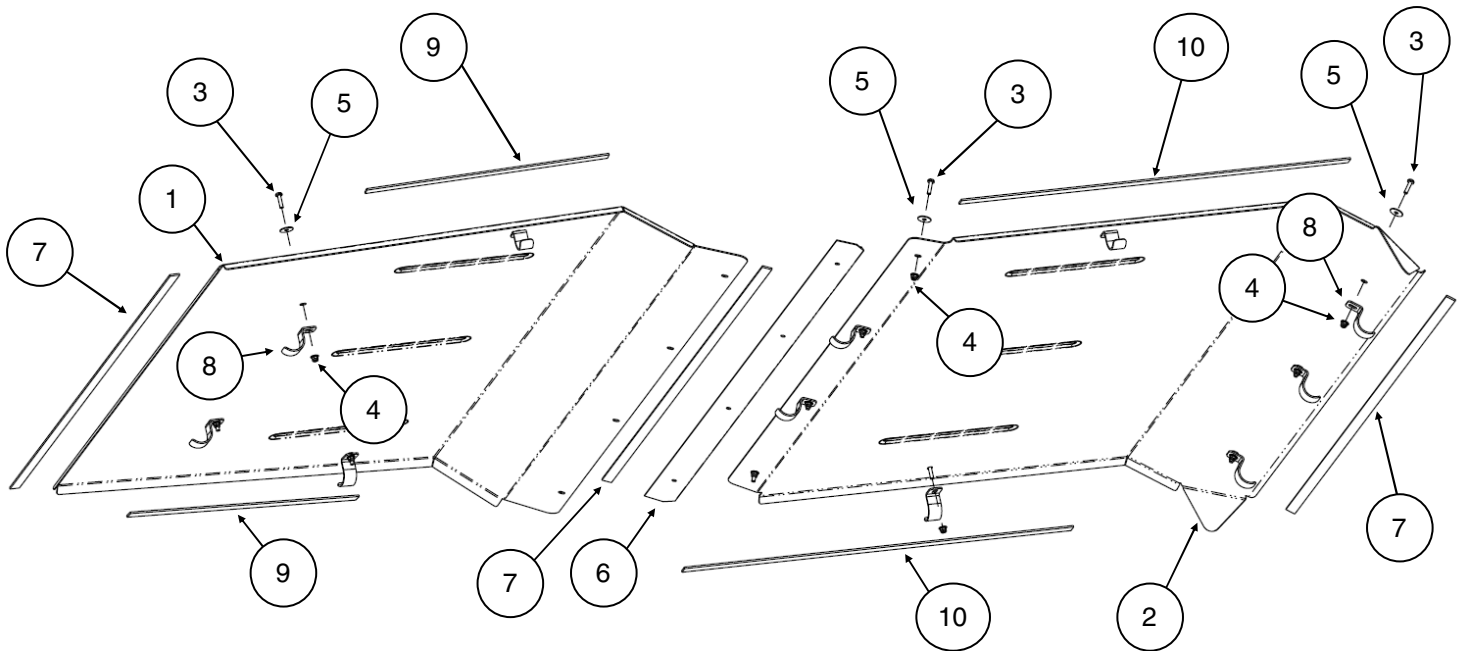
Note: If any hardware is missing, do not return to the store. Call us to help, Toll Free 1-877-956-5746.

Note: Two people are required to install this Roof Kit.

This Kit includes:

Item	Qty	Part Description
1	1	Pioneer 700-4 Front Roof Panel
2	1	Pioneer 700-4 Rear Roof Panel
3*	13	Button Screw, Zinc Plated, M6-1.0 x 25mm LG
4*	13	Flange Locknut, Zinc Plated, M6-1.0
5*	13	Flat Washer, Zinc Plated, M6
6*	1	Rubber Overlap Trim Seal
7*	3	Long Foam Strip
8*	11	Clamp, Painted, 1.625" Diameter
9*	2	Short Foam Strip
10*	2	Medium Foam Strip
11	1	Instruction Guide (not shown)

Items marked (*) are included in Hardware Kit PN 29221.



Tools Required:

- Socket Set, Metric
- Torx Bit Set
- Utility Knife/Cutting Tool
- Wrench Set, Metric
- Torque Wrench

Kolpin Outdoors, Inc. | 9955 59th Ave N | Plymouth, MN 55442

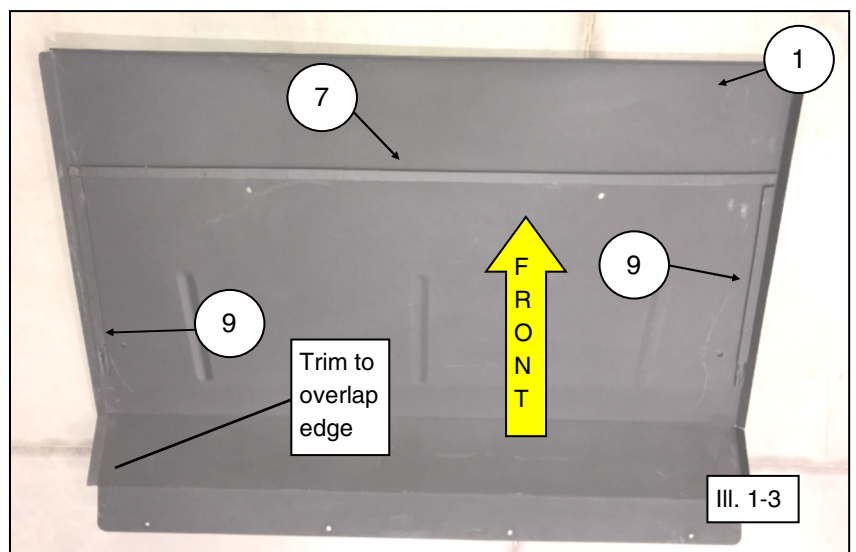
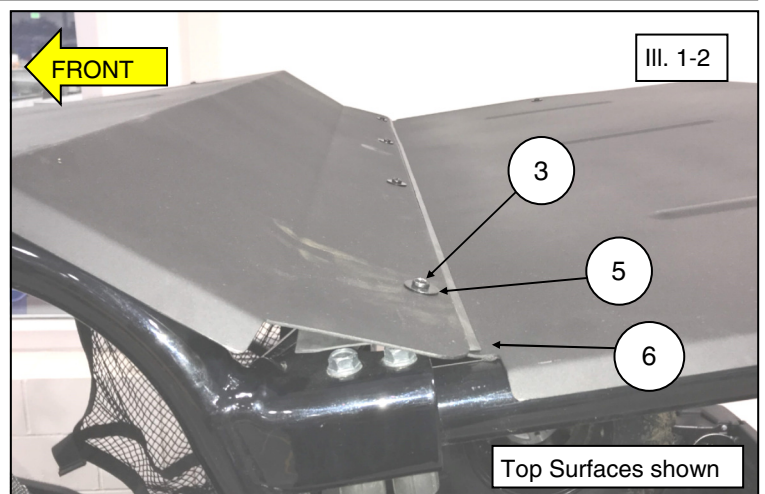
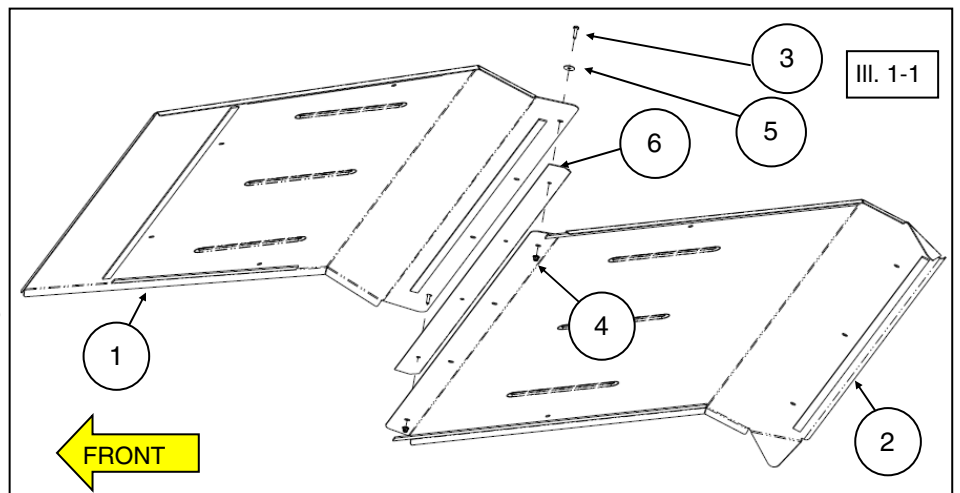
(877) 956-5746 or (763) 478-5800 | www.kolpin.com | customerservice@kolpin.com

Assembly Time: Approximately 30 minutes

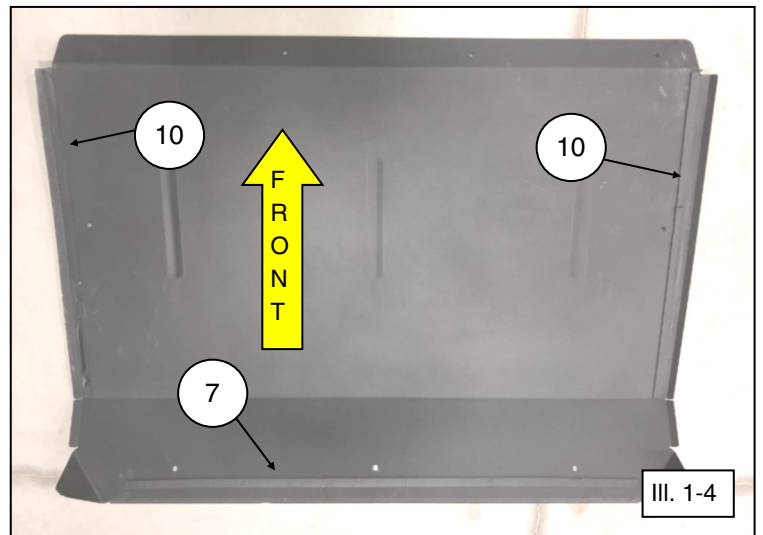
Important: Your Kolpin Steel Roof Kit is exclusively designed for your vehicle. Please read the installation instructions thoroughly before beginning. Installation is easier if the vehicle is clean and free of debris. For your safety, and to ensure a satisfactory installation, perform all installation steps correctly in the sequence shown. For better cab assembly procedure, install kits in the following order: front window, and roof.

Installation Instructions:

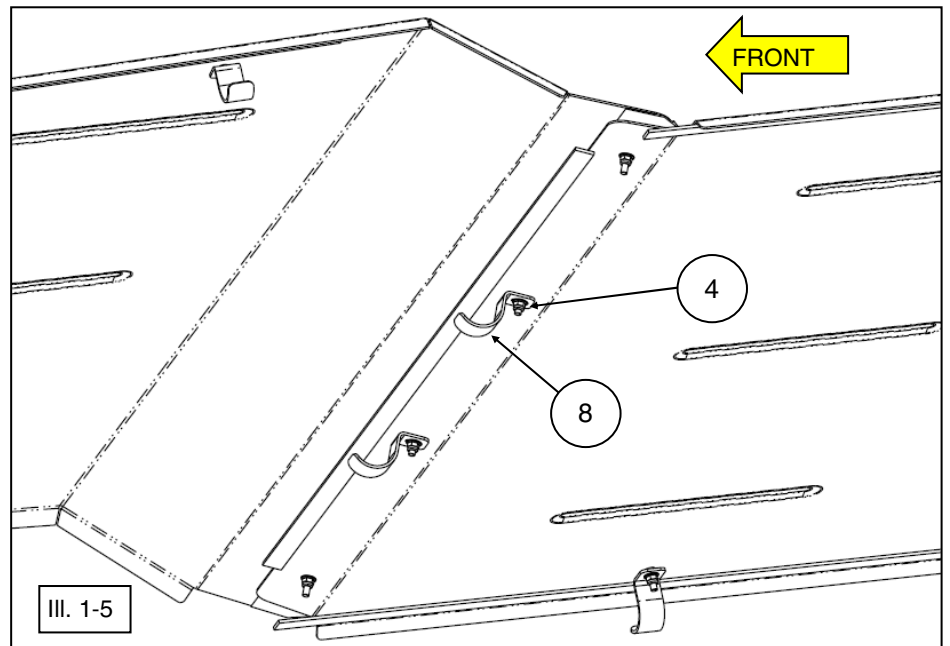
1. Shift vehicle transmission into "PARK". Turn key to "OFF" position and remove from vehicle.
2. Being careful to not scratch painted surfaces, place the front steel roof panel (item #1) onto rear steel roof panel (item #2). Fasten panels together by using two M6 screws (item #3) and two M6 washers (item #5) inserting through the outer holes at the overlapping seam as shown. Loosely secure with M6 locknuts (item #4) on underside roof surface. (See illustrations 1-1 and 1-2). **Note, place rubber seal (item #6) in between the two roof panels as shown. Do not tighten hardware at this step since adjustments may be required later.**
3. Clean lower surface of front roof (item #1) and rear roof (item #2) as required, then apply long foam strips (item #7), short foam strips (item #9) and medium foam strips (item #10) as shown. Trim seals as required. (See illustrations 1-3 and 1-4). **Note, foam strip alignment may be easier if roof assembly is placed on cab frame, then mark with pencil or tape where the roll cage tubes make contact with metal roof.**



Installation Instructions (Continued):

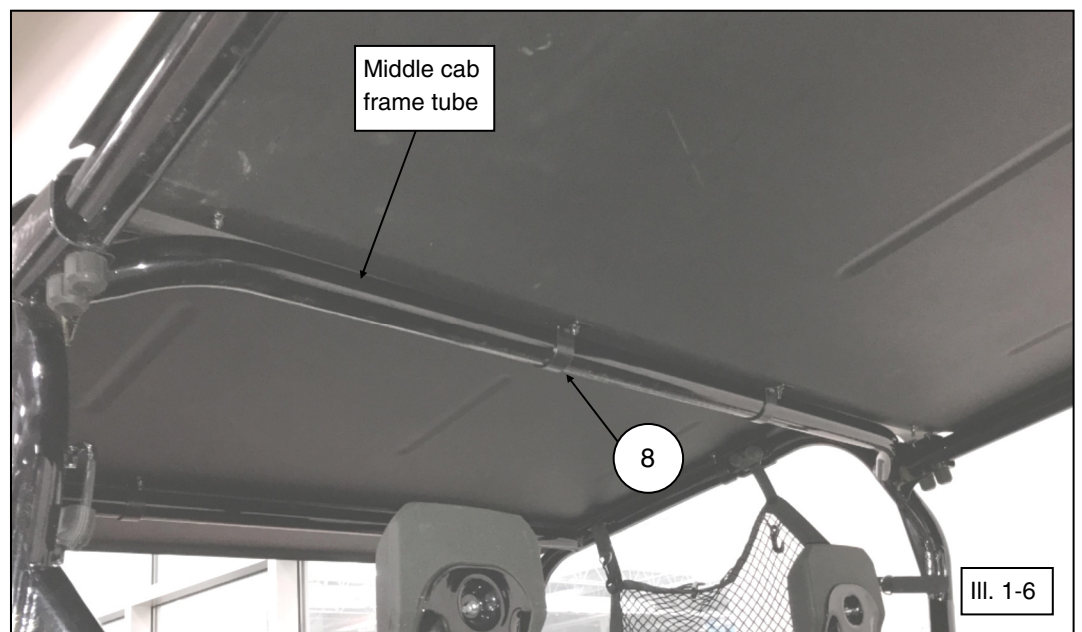


4. For the middle holes of the roof overlapping seam, attach two clamps (item #8) to the assembly as shown. From the top surface, secure the middle clamps using M6 screws (item #3) and M6 washers (item #5). Fasten the clamps with M6 locknuts (item #4). (See illustration 1-5). **Note: Do not tighten hardware at this step since adjustments may be required later.**



5. Place roof assembly on the top of the vehicle cab frame.

6. Align the center clamps (item #8) onto the middle cab frame tube, so that these can be fit onto the tube. (See illustration 1-6).

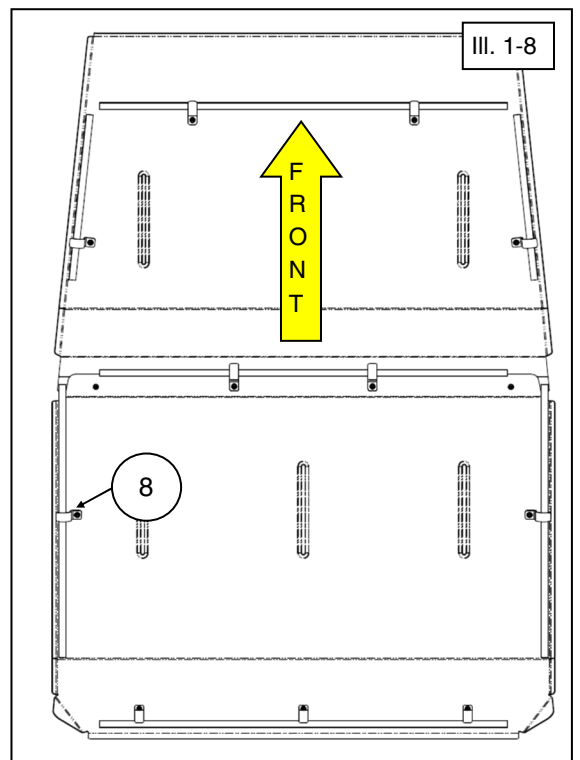


Installation Instructions (Continued):

7. Secure the rear of the roof to the vehicle using the M6 screws (item #3) and M6 flat washers (item #5) through the top surface mounting holes. Attach clamps (item #8) around tube frame and fasten with M6 locknuts (item #4). Align rear corners so small gap exists between cab frame and rear roof panel as shown. (See illustration 1-7). **Note: Do not tighten hardware at this step since adjustments may be required later.**



8. Continue to attach clamps (item #8) around the cab frame at each of the slotted hole locations. Fasten using M6 screws (item #3) and flat washers (item #5) through the top surface. Secure clamps into position from lower surface with M6 locknuts (item #4) as shown. (See illustrations 1-8 and 1-9).



Installation Instructions (Continued):

9. Once roof panels are aligned onto cab frame, tighten all hardware to specifications.



6MM FASTENER TORQUE:
7 ft. lbs. (9.5 Nm)

Use and Care Information:

- Check the accessory mounts frequently and retighten hardware if necessary.
- Replace this accessory with a new one if it is damaged.
- Never use petroleum solvents such as gasoline, thinner, benzene, acid or alkaline cleaners.

For additional assistance, please contact Kolpin customer service department at (877) 956-5746 or (763) 478-5800 or email customerservice@kolpin.com

One Year Limited Warranty

For the period of one (1) year from the purchase date, Kolpin will replace for the original purchaser, free of charge, any part or parts found upon examination by Kolpin to be defective in material, workmanship, or both.

All transportation costs incurred submitting product to Kolpin for warranty consideration must be borne by the purchaser. If Kolpin determines that the product must be returned to the factory for credit, please call 1-877-956-5746 for a Return Merchandise Authorization (RMA) number and shipping instructions.

This warranty does not apply to parts that have been damaged by accident, alteration, abuse, improper maintenance, normal wear, or other causes beyond the manufacturer's control. In order to protect you and your ATV, certain parts of the accessory system and/or hardware are designed to fail when the equipment is over-stressed. Parts that are lost due to loosening and improper maintenance are not covered under warranty. This warranty does not cover removal or reinstallation labor fees of the plow system and related components.

Peripheral products such as engines, electric motors, and actuators may carry an original manufacturer's warranty. Most hardware is general in nature and is easily obtained locally. Be sure to replace with minimum metric class 8.8 specification.